

50HN Series

Infinity™ Thermoplastic Casters Swivel • Total Lock • Swivel Lock Capacity to 300 pounds each

FEATURES

- ✓ **Ideally suited** for medical, high-tech and institutional equipment.
- ✓ **Sleek, advanced design** combines corrosion and chemical resistance with silent operation.
- ✓ **Molded from engineered, reinforced thermoplastics** for trouble-free performance even in wash-down applications.
- ✓ **Precision ball bearing** swivel raceway for smooth, effortless swivel action
- ✓ **Non-marking** wheel design.
- ✓ **Steel top plates** and mounting stems are zinc plated to resist rust.
- ✓ **Axle:** 3/8" diameter riveted.

CASTER OPTIONS

- ✓ **Stainless steel:** stainless steel top plate and mounting stems, swivel ball bearings and kingpin available – consult factory.
- ✓ **Total lock:** simultaneously locks swivel and wheel in any position.
- ✓ **Swivel lock:** swivel locks in trailing position at 180° while wheel spins freely.
- ✓ **Plastic Thread Guards:** to order, add "TG" to end of model number.
- ✓ **Axle Caps:** to order, add "A" to end of model number.
- ✓ **Optional Top Plate & Stem Sizes:** variety of top plate sizes available – consult factory.



5-50HN-314GD TG A PLT2
(shown in photo)

5-54HN-314GD TL STEM 1
(shown in photo)

TOP PLATE MOUNTING OPTIONS

Top Plate Sizes (swivel & rigid): to order, add Plate Mounting Code to end of model number.
(Example: 5-50HN-314GD TG A PLT2)

Mounting Code	Top Plate Size	Bolt Hole Spacing	Mounting Bolt Size
PLT 2	2-3/8" x 3-5/8"	1-3/4" x 3"	5/16"
PLT 3	3-1/8" x 4-1/8"	2-3/8" x 3-7/16"	5/16"
PLT 5	3-3/4" x 4-1/2"	2-5/8" x 3-5/8" to 3" x 3"	3/8"
PLT 7	3-1/2" x 3-1/2"	2-5/8" x 2-5/8"	9/32"



5-50HN-314GD PLT 2
(shown in photo)



5-50HN-314GD TL PLT 2
(shown in photo)

Top Plate

Free Swivel • Total Lock • Swivel Lock

Wheel Diameter (Inches)	Tread Width (Inches)	Wheel Type	Bearing	Capacity (Pounds)	Free Swivel Model Number	Total Lock Model Number	Swivel Lock Model Number	Approximate Weight (Pounds)	Load Height (Inches)	Swivel Radius (Inches)
5	1 1/4	Advantage TPR / Round	Ball	250	5-50HN-213GD	5-50HN-213GD TL	5-50HN-213GD SL1	2-3/4	6 1/4	4 1/4



SPRING RING STEM MOUNTING OPTIONS

Spring Ring Stem Sizes: to order, specify stem code number and add to end of caster model number.

Stem Code	Spring Ring Stem Sizes
STEM 1	.845" diameter round x 2-3/16" long
STEM 2	.865" diameter round x 2-3/16" long
STEM 3	.860" diameter SQUARE x 2-3/16" long



5-54HN-314GD STEM 1
(shown in photo)



5-54HN-314GD TL STEM 1
(shown in photo)

Spring Ring Stem

Free Swivel • Total Lock • Swivel Lock

Wheel Diameter (Inches)	Tread Width (Inches)	Wheel Type	Bearing	Capacity (Pounds)	Free Swivel Model Number	Total Lock Model Number	Swivel Lock Model Number	Approximate Weight (Pounds)	Load Height (Inches)	Swivel Radius (Inches)
5	1 1/4	Advantage TPR / Round	Ball	250	5-54HN-213GD	5-54HN-213GD TL	5-54HN-213GD SL1	2-3/4	6 1/4	4 1/4

THREADED STEM MOUNTING OPTIONS

Threaded Stem Sizes: to order, specify stem code number and add to end of caster model number .
(Example: 5-56HN-314GD **STEM 1**).

Stem Code	Threaded Stem Sizes
STEM 1	1/2" diameter -13 x 3/4" long
STEM 2	1/2" diameter -13 x 1" long
STEM 3	1/2" diameter -13 x 1-1/2" long
STEM 5	1/2" diameter -20 x 2-1/4" long
STEM 6	5/8" diameter -11 x 1-1/4" long
STEM 7	5/8" diameter - 18 x 1-3/4" long
STEM 8	3/4" diameter - 10 x 1" long



5-56HN-314GD STEM 1
(shown in photo)



5-56HN-314GD TL STEM 1
(shown in photo)

Threaded Stem

Free Swivel • Total Lock • Swivel Lock

Wheel Diameter (Inches)	Tread Width (Inches)	Wheel Type	Bearing	Capacity (Pounds)	Free Swivel Model Number	Total Lock Model Number	Swivel Lock Model Number	Approximate Weight (Pounds)	Load Height (Inches)	Swivel Radius (Inches)
5	1 1/4	Advantage TPR / Round	Ball	250	5-56HN-213GD	5-56HN-213GD TL	5-56HN-213GD SL1	2-3/4	6 1/4	4 1/4

50HN SERIES

CL

Central Locking Casters

Capacity to 265 lbs each

FEATURES

- ✓ **Finish:** zinc-chromatized or ABS shield.
- ✓ **Design:** press steel yoke with precision ball bearing swivel head.
- ✓ **Central Locking Compatible:** various locking functions of casters are activated by a single press of a hex cam lever.
- ✓ **Thread Guards:** plastic.
- ✓ **Environmentally Friendly:** non-toxic recyclable parts and ROHS compliant.

CASTER OPTIONS

- ✓ **Total Lock/Directional Lock/Free Swivel:** choose brake function based on pedal activation; (1) locks wheel and swivel simultaneously, (2) locks swivel only, or (3) free swivel.
- ✓ **Total Lock/Free Swivel:** choose brake function based on pedal activation; (1) locks wheel and swivel simultaneously, or (2) free swivel.
- ✓ **Directional Lock/Free Swivel:** choose brake function based on pedal activation; (1) locks swivel only, or (2) free swivel.
- ✓ **Free Swivel:** free steering model.
- ✓ **Conductive Wheels:** consult factory.



Y690R99/W603U

Y520R99/W503U

MOUNTING OPTIONS

Mtg. Code	Stem Dia.	Stem Length	Hole to Base	Mtg. Hole	Lock Hex Size	Cam Position
R99	28mm	98.5mm	19mm	M8x1.25	11.2mm	2x45°
R9	28mm	45mm	19mm	M8x1.25	N/A	N/A
R66	32mm	50mm	7mm	M6x1	11.2mm	2x30°
R69	32mm	50mm	7mm	M6x1	N/A	N/A

R9 and R69 are free swivel only – no locking cam.

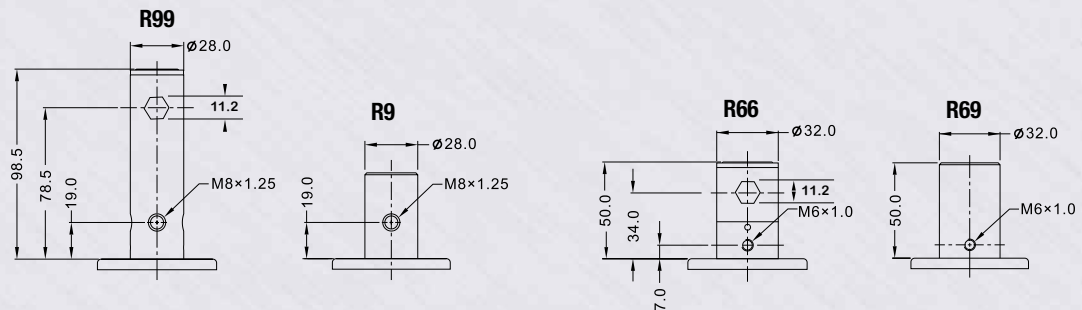


Zinc-chromatized Models

Wheel Diameter (mm)	Tread Width (mm)	Wheel Type	Wheel Bearing	Capacity (lbs)	Free Swivel Model Number	Total Lock/Directional Lock/Free Swivel Model	Total Lock/Free Swivel Model Number	Directional Lock/Free Swivel Model Number	Load Height (mm)	Swivel Offset (mm)
125	32	TPR	PRECISION BALL	220	Y521R9/W503U	Y520R99/W503U	Y522R99/W503U	Y520DR99/W503U	164.0	39.0
			PRECISION BALL	220	Y521R9/W501U	Y520R99/W501U	Y522R99/W501U	Y520DR99/W501U		
150	32	TPR	PRECISION BALL	265	Y621R9/W603U	Y620R99/W603U	Y622R99/W603U	Y620DR99/W603U	192.5	50.0
			PRECISION BALL	265	Y621R9/W600U	Y620R99/W600U	Y622R99/W600U	Y620DR99/W600U		
200	32	TPR	PRECISION BALL	265	Y821R9/W803U	Y820R99/W803U	Y822R99/W803U	Y820DR99/W803U	240.0	57.5



ABS Shield Models



Wheel Diameter (mm)	Tread Width (mm)	Wheel Type	Wheel Bearing	Capacity (lbs)	Free Swivel Model Number	Total Lock/Directional Lock/Free Swivel Model	Total Lock/Free Swivel Model Number	Directional Lock/Free Swivel Model Number	Load Height (mm)	Swivel Offset (mm)
100	32	TPR	PRECISION BALL	176	Y491R9/W403U	Y490R99/W403U	Y492R99/W403U	Y490DR99/W403U	143.0	30.0
125	32	TPR	PRECISION BALL	220	Y591R9/W503U	Y590R99/W503U	Y592R99/W503U	Y590DR99/W503U	165.0	39.0
150	32	TPR	PRECISION BALL	265	Y691R9/W603U	Y690R99/W603U	Y692R99/W603U	Y690DR99/W603U	189.0	40.0
200	32	TPR	PRECISION BALL	265	Y891R9/W803U	Y890R99/W803U	Y892R99/W803U	Y890DR99/W803U	237.0	52.0



BB-TEK

Bi-Brake Casters

Capacity to 330 lbs each

FEATURES

- ✓ **Finish:** zinc-chromatized swivel yoke with ABS shield.
- ✓ **Design:** press steel yoke.
- ✓ **Swivel Construction:** double ball raceway for 125mm diameter models. Precision ball bearing swivel head for 150mm and 200mm models.
- ✓ **Patented Braking System:** two separate locking pedals for wheel and swivel for complete control. Pressing red pedal locks wheel and swivel simultaneously. Pressing green pedal locks swivel. Pressing off pedal disengages all functions.
- ✓ **Environmentally Friendly:** non-toxic recyclable parts and ROHS compliant.

CASTER OPTIONS

- ✓ **Bright Chrome Finish:** consult factory.
- ✓ **ABS Shield Custom Colors:** consult factory.
- ✓ **Rigid Models:** consult factory.



TS150BR16/W630U



STB200R16/RB-CR



ROUND STEM MOUNTING OPTIONS

Mtg. Code	Stem Dia.	Stem Length	Hole to Base	Mounting Hole
R8	22mm	45mm	19mm	M8x1.25
R9	28mm	45mm	19mm	M8x1.25
R16	25.6mm	45mm	19mm	M8x1.25

To order optional stem sizes change stem code.
(Example: TS150BR9/W529U).

Wheel Diameter (mm)	Tread Width (mm)	Wheel Type	Wheel Bearing	Capacity (lbs)	Round Stem Bi-Brake Model Number	Free Swivel Model Number	Load Height (mm)	Swivel Radius (mm)
125	32	TPR	PRECISION BALL	220	TS125BR16/W502U	TS125R16/W502U	161.0	78.0
		ELASTIC RUBBER*	PRECISION BALL	220	TS125BR16/W529U	TS125R16/W529U		
		TPU	PRECISION BALL	220	TS125BR16/W501U	TS125R16/W501U		
150	40	TPR	PRECISION BALL	330	TS150BR16/W630U	TS150R16/W630U	196.5	92.0
		ELASTIC RUBBER*	PRECISION BALL	330	TS150BR16/W640U	TS150R16/W640U		
200	40	ELASTIC RUBBER*	PRECISION BALL	330	TS200BR16/W840U	TS200R16/W840U	250.0	98.0

*Aluminum alloy hub.

PLATE MOUNTING OPTIONS

P1 and P2 plates are available for 125mm models. P6 and P8 plates are available for 150mm and 200mm models. To order optional plate sizes change code.

(Example: TS125BP2/W502U).

Mounting Code	Top Plate Size	Bolt Hole Spacing	Mounting Bolt Size
P1	95mm x 70mm	75mm x 45mm / 72mm x 52mm	9mm
P2	77mm x 67mm	61.5mm x 52mm / 56mm x 45mm	8.5mm
P6	114mm x 101.6mm	93mm x 67mm	9mm
P8	100.3mm x 100mm	80mm x 80mm	10.5mm



Wheel Diameter (mm)	Tread Width (mm)	Wheel Type	Wheel Bearing	Capacity (lbs)	Swivel Top Plate Bi-Brake Model Number	Free Swivel Model Number	Load Height (mm)	Swivel Radius (mm)
125	32	TPR	PRECISION BALL	220	TS125BP1/W502U	TS125P1/W502U	161.0	78.0
		ELASTIC RUBBER*	PRECISION BALL	220	TS125BP1/W529U	TS125P1/W529U		
		TPU	PRECISION BALL	220	TS125BP1/W501U	TS125P1/W501U		
150	40	TPR	PRECISION BALL	330	TS150BP6/W630U	TS150P6/W630U	196.5	92.0
		ELASTIC RUBBER*	PRECISION BALL	330	TS150BP6/W640U	TS150P6/W640U		
200	40	ELASTIC RUBBER*	PRECISION BALL	330	TS200BP6/W840U	TS200P6/W840U	250.0	98.0

*Aluminum alloy hub.

BB-TEK

TT Series

Twin Wheel Casters

Capacity to 220 lbs each

FEATURES

- ✓ **Finish:** glass fiber reinforced Nylon 6 body and brake pedals.
- ✓ **Design:** chromium steel precision ball bearing swivel head and wheel axles.
- ✓ **Wheel:** non-marking 85±5 Shore A TPU wheel treads.
- ✓ **Thread Guards:** plastic.
- ✓ **Environmentally Friendly:** non-toxic recyclable parts and ROHS compliant.

CASTER OPTIONS

- ✓ **Total Lock:** locks wheel and swivel simultaneously.
- ✓ **Directional Lock:** locks swivel only for easy rolling in straight line.
- ✓ **Free Swivel:** free steering model.
- ✓ **Optional Colors:** consult factory.



Total Lock
TT125BT2/W



Free Swivel
TT125R8/G



Directional Lock
TT125D1P1/G

Grey TT Casters



Wheel Diameter (mm)	Wheel Type	Wheel Bearing	Capacity (lbs)	Free Swivel Model Number	Total Lock Model Number	Directional Lock Model Number	Load Height (mm)	Swivel Offset (mm)
100	TPU	PRECISION BALL	176	TT100P1/G	TT100BP1/G	TT100D1P1/G	123.0	30.0
125	TPU	PRECISION BALL	220	TT125P1/G	TT125BP1/G	TT125D1P1/G	148.0	39.0

White TT Casters



Wheel Diameter (mm)	Wheel Type	Wheel Bearing	Capacity (lbs)	Free Swivel Model Number	Total Lock Model Number	Directional Lock Model Number	Load Height (mm)	Swivel Offset (mm)
100	TPU	PRECISION BALL	176	TT100P1/W	TT100BP1/W	TT100D1P1/W	123.0	30.0
125	TPU	PRECISION BALL	220	TT125P1/W	TT125BP1/W	TT125D1P1/W	148.0	39.0

Swivel Top Plates P1 and P3



Standard plate P1. To order optional plate sizes change code.

(Example: TT100D1P1/G).

Mtg Code	Plate Size	Bolt Hole Spacing	Mounting Hole
P1	95mm x 70mm	75mm x 55mm or 72mm x 42mm	9mm
P2	77mm x 67mm	61.5mm x 52mm or 56mm x 45mm	8.5mm

Round Stem R8 and R63



Change P1 to R mounting code: (Example: TT100R8/G)

Mtg. Code	Stem Dia.	Stem Length	Hole to Base	Mounting Hole
R8	22mm	45mm	19mm	M8x1.25
R63	18mm	28mm	19mm	M8x1.25

Threaded Stem T2, T4 or T5



Change P1 to T mounting code: (Example: TT100BT2/G)

Mounting Code	Stem Diameter	Stem Length
T2	1/2-13UNC	1"
T4	M12 P1.75	25mm
T5	M16 P2.0	25mm