



Committed to your success!

# INTRODUCING NEW Adjustable Equipment Legs

**Available Finishes in:**  
**300 Series Stainless Steel**  
**Powder Coated**  
**Zinc Plated**  
**Specialty Finish**



## Consolidate Your Shipments and Save!

With almost a century of providing to the food service industry, it only makes sense that Jarvis is able to utilize its global resources in advanced manufacturing technologies to develop additional solutions for our customers.

Let Jarvis become a one stop solution for your caster and adjustable equipment leg needs.

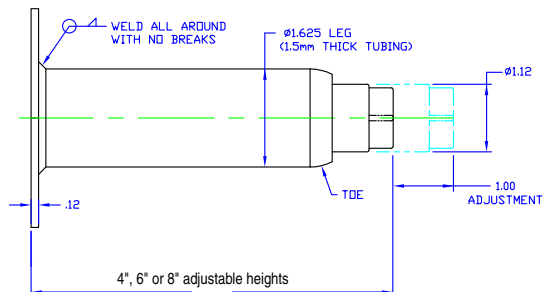
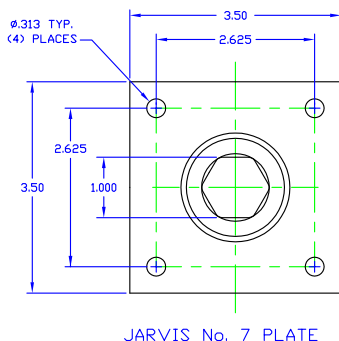
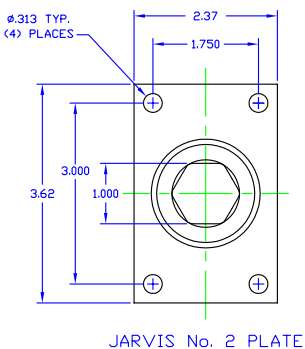
### Check out these cost saving benefits:

- ▶ Consolidating your leg and caster purchases will
  - ✓ Save valuable time in the purchasing process
  - ✓ Save money on freight expense

### Product Features:

- ▶ Welded mounting plates available in two sizes
- ▶ Integral hex foot
- ▶ Available in multiple finishes
- ▶ Adjustments up to 1" in length
- ▶ Engineered Solutions for custom applications
- ▶ Available in 4", 6" and 8" heights

Specifications:



### Technical Data

**Construction:** 16 gauge steel tubing  
**O.D. Tubing:** 1-5/8" **Hex Foot:** 1-1/8"  
**Load Capacity:** 2000 lb static load  
**Plate Dimensions:** #2: 2-3/8"x3-5/8"  
 #7: 3-1/2"x3-1/2"

**Contact your Jarvis Representative Regarding your Application Today!**

### Jarvis Caster Company

881 Lower Brownsville Road • Jackson, TN 38305 • Phone: 800-995-9876  
 2300 Merced Avenue • South El Monte, CA 91733 • Phone: 800-394-9433  
[www.jarviscaster.com](http://www.jarviscaster.com)